

ERRATA SHEET

MODEL HA-5

After the Instruction Manual was printed but prior to production, certain minor electrical changes were made to improve equipment performance. Please incorporate the information contained below into the Instruction Manual for future reference.

1. In the parts list, delete capacitors C1A, C1B, and C8 and resistors R2 and R11.
2. In the parts list, change capacitor C17 from 0.005 μ f to 0.002 μ f, 20%, 500V, Ceramic Disc type, part number 047-100395.
3. In the parts list, add capacitor C1, 15 μ f, 500V, N750, Ceramic Tubular type, part number 491-106150-95.
4. In the parts list, add capacitor C32, 4 μ f, 500V, Ceramic Tubular type, part number 491-101040-43.
5. In the parts list, add capacitor C33, 5 μ f, 300V, Plastic Mica type, part number 481-162050.
6. In the parts list, add capacitors C34, C35, and C37, 100 μ f, 300V, Plastic Mica type, part number 482-162101.
7. In the parts list, add capacitor C36, 1 μ f, Composition type, part number 047-200403-2.
8. In the parts list, change resistor R4 from 47K ohms to 10K ohms, part number 451-252103.
9. In the parts list, change resistor R8 from 15K ohms, 2 watt to 22K ohms, 2 watt, part number 451-652223.
10. In the parts list, change resistor R12 from 560 ohms to 220 ohms, part number 451-252221.
11. In the parts list, change resistor R13 from 47K ohms, 1 watt to 18K ohms, 1 watt, part number 451-352183.
12. On page -9-, figure 7, in the upper left-hand corner, change reference L4 to L2; near to the right of this, change reference L2 to L4.

Form Number 094-903188B
Pack with Instruction
Manual 094-902858

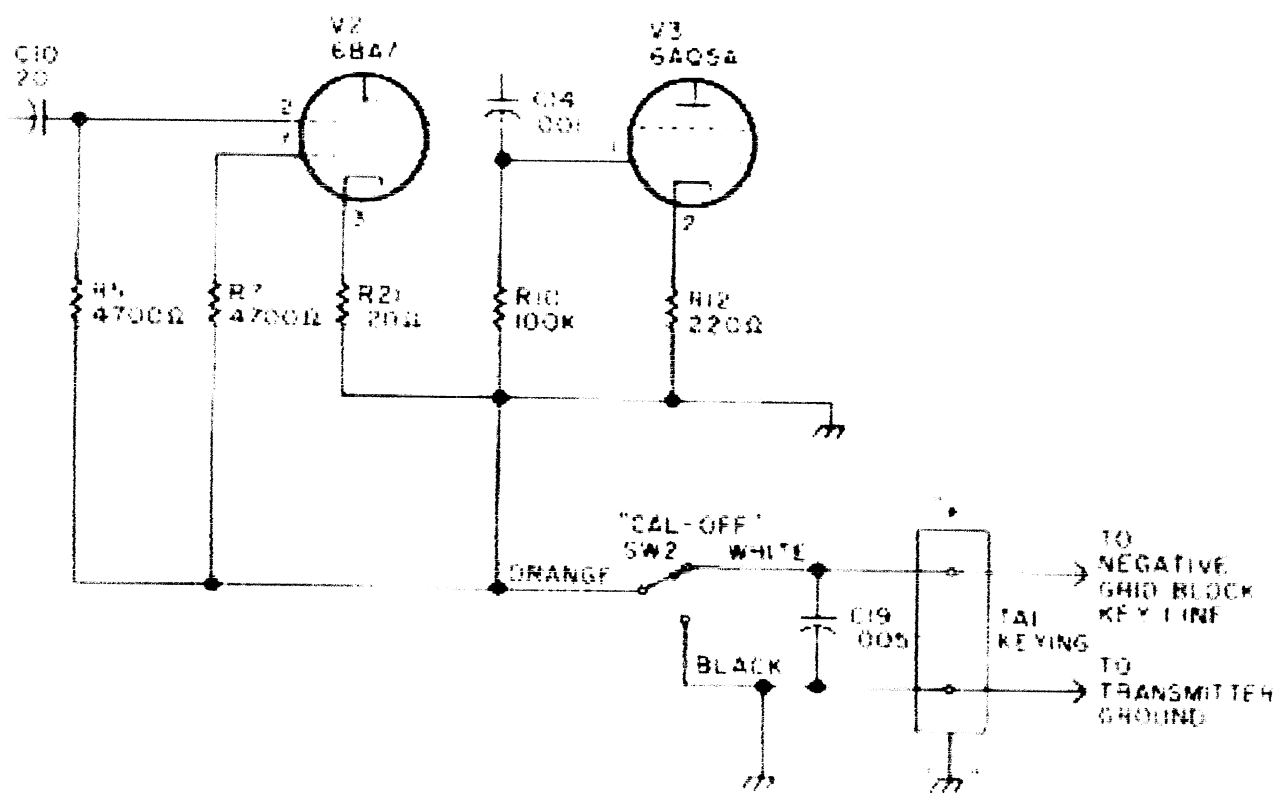
ERRATA SHEET

MODEL HA-5

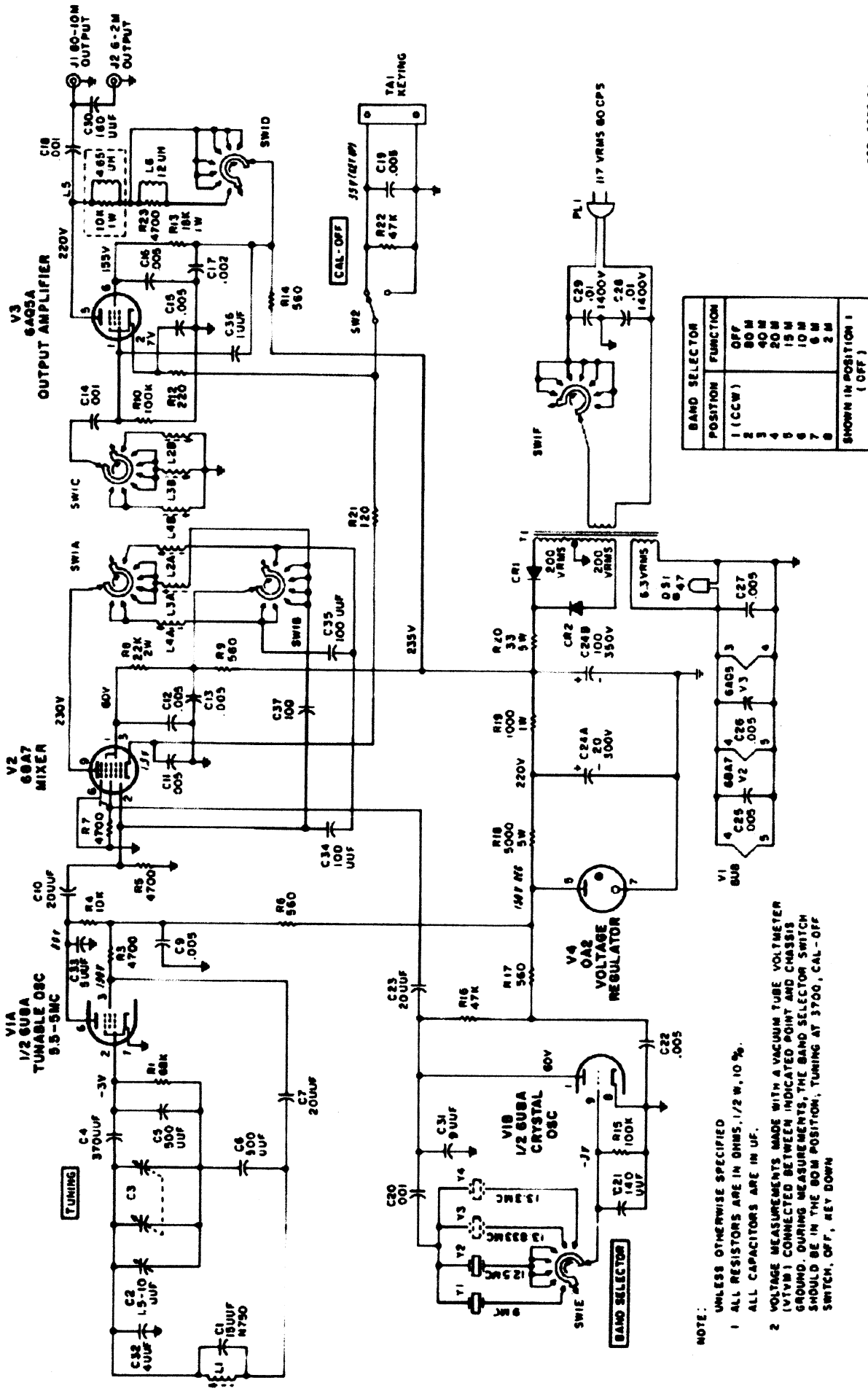
Make the following changes in the schematic diagram, figure 8, of this Instruction Manual.

- 1. Remove the 68 $\mu\mu\text{F}$ capacitor shown connected between the junction of R6 and C9 and the junction of R4 and C10.**
- 2. Add F1 a 3/8 ampere Slow Blow fuse in the 117-volt line between PL1 and the hot side of C28.**

**Form Number 094-903604
Pack with Instruction
Manual 094-902858B**



HALLICRAFTERS HA-5 GRID-BLOCK KEYING CONVERSION: The Hallicrafters HA-5 vfo is cathode-keyed. This conversion will enable the rig to be grid-block-keyed with a minimum of surgery to the unit. Begin by disconnecting cathode resistors R12 and R21 from the orange lead of the "Cal-Off" switch, grounding them to chassis. Open R22 at the TA1 keying terminal strip. Disconnect R5, R7, and R10 from chassis, and connect their junction to the orange lead of the "Cal-Off" switch. To reconvert to cathode keying, disconnect the ungrounded ends of R5, R7, R10, and R22, leaving them bent out, while installing new R5, R7, and R10 resistors whose long leads will more readily reach to the orange "Cal-Off" switch lead. The grid-block transmitter lead (negative) then connects to the terminal marked "+", and the transmitter ground connects to the terminal marked "ground" on the vfo keying terminal strip.—Tuckerman S. Jalet AA1C, Stamford CT.



BAND SELECTOR	
POSITION	FUNCTION
1 (CCW)	OFF
2	80 M
3	40 M
4	20 M
5	15 M
6	10 M
7	6 M
8	2 M
SHOWN IN POSITION 1 (OFF)	

NOTE:
 1 UNLESS OTHERWISE SPECIFIED ALL RESISTORS ARE IN OHMS, 1/2 W, 10 %
 ALL CAPACITORS ARE IN UF.
 2 VOLTAGE MEASUREMENTS MADE WITH A VACUUM TUBE VOLTMETER (VTVM) CONNECTED BETWEEN INDICATED POINT AND CHASSIS GROUND. DURING MEASUREMENTS, THE BAND SELECTOR SWITCH SHOULD BE IN THE 80 M POSITION, TUNING AT 3700, CAL-OFF SWITCH, OFF, KEY DOWN